



**DUX DYNAMIC HEADBOARD
QUEEN/152/160/180**



ASSEMBLY INSTRUCTIONS

DUX, DUXIANA and DUX Pascal-systems are registered
trademark owed by Dux Design AB 2012.
Printed 2021.02.01

dux.com



HARDWARE



TOOLS NEEDED

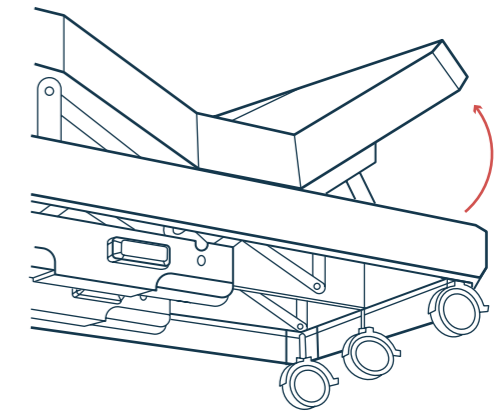


Spanner 13mm or adjustable wrench (Not included)

ASSEMBLING

I. RAISE THE HEAD-END

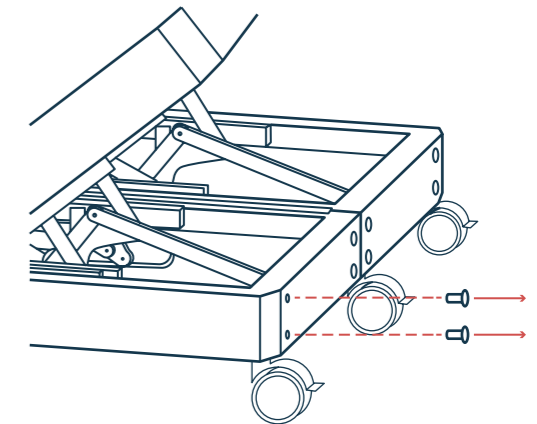
Raise the head-end to the maximum height.



II. REMOVE CORNER SCREWS

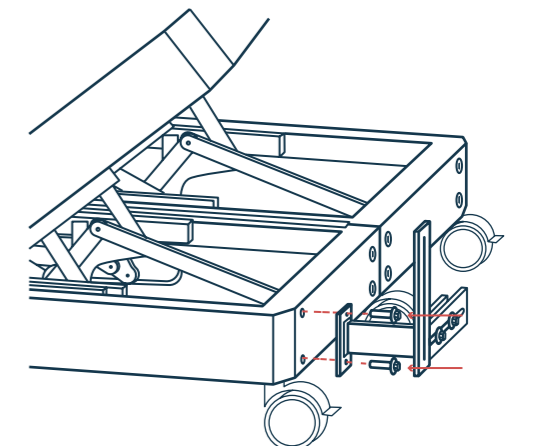
Remove the two hexagonal socket-head screws in one corner.

Remove two pair of screws and mount one fitting at the same time the panel will come off.



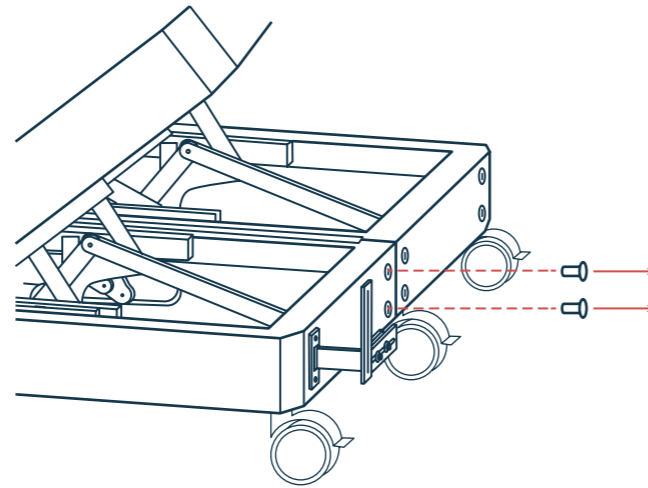
III. MOUNT THE L-SHAPED FITTING

Using the new bolts supplied fasten one L-shaped fitting as shown.



IV. REMOVE MIDDLE SCREWS

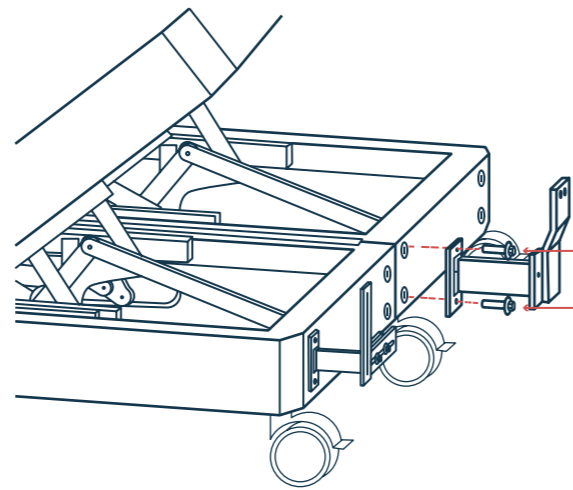
Remove the two hexagonal socket-head screws in the middle.



V. MOUNT THE MIDDLE FITTING

Fasten the middle fitting with the new bolts.

Repeat these steps on the other side of the bed. Remember to not remove all screws at the same time!



VI. MOUNT THE HEADBOARD

Mount the headboard to the profiles and tighten.

Be sure to tighten all 4 screws including those on the fittings.

